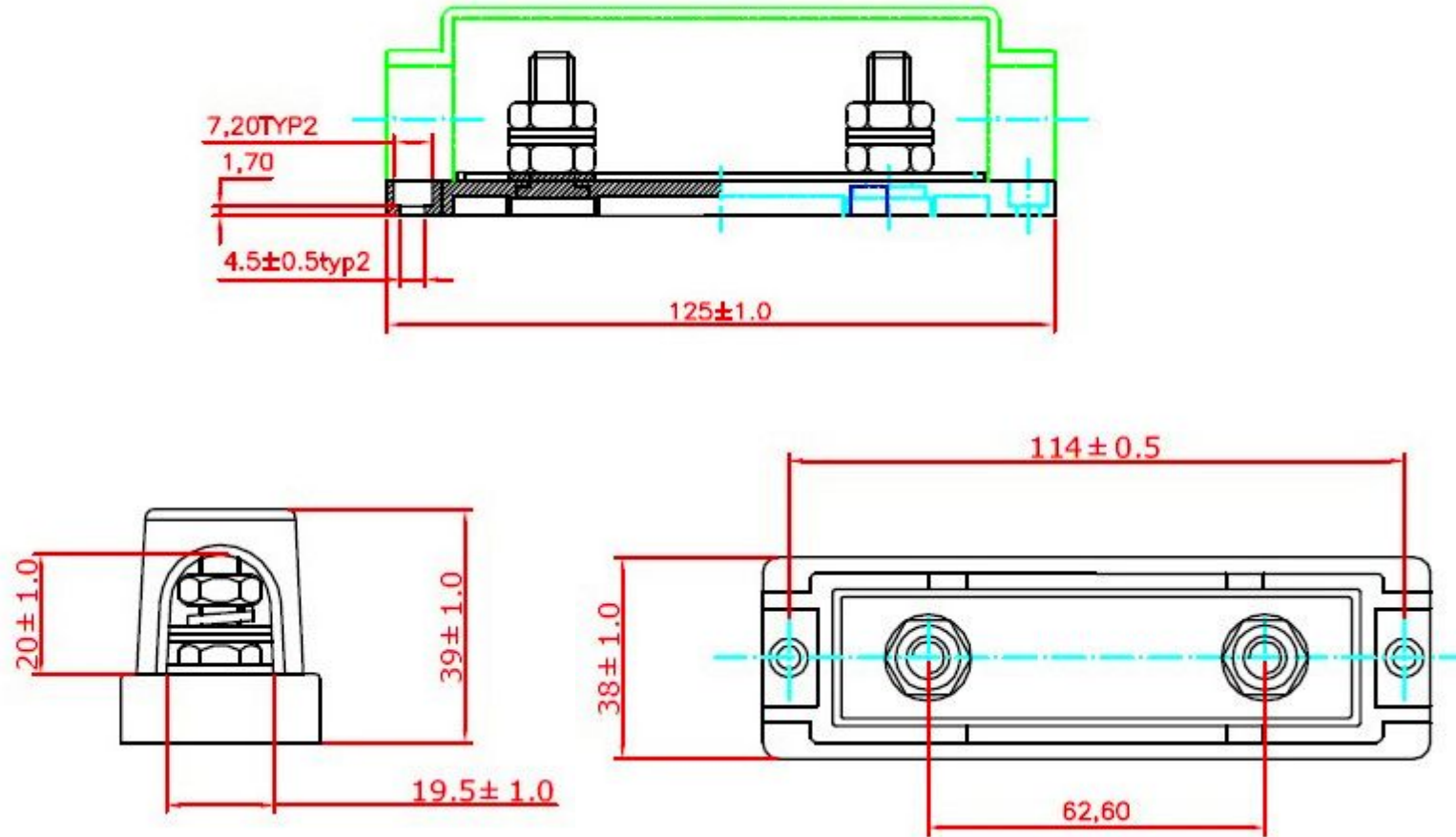


Dongguan Gongfu Electronic Co. Ltd.

TEL:[0769-82391938](tel:0769-82391938) 81100206 FAX:[0769-82391939](tel:0769-82391939) <http://www.gfefuse.com>



- 1 product model ANS-150 (base PBT. transparent shield PC) /ANS-100 (base. Transparent cover (PC)
- 2 products for 12V-500V/20A-200A/DC. matching (GFEFUSE/ANL-A series high power automotive fuse)
- 3 products are used in automotive audio and video systems.