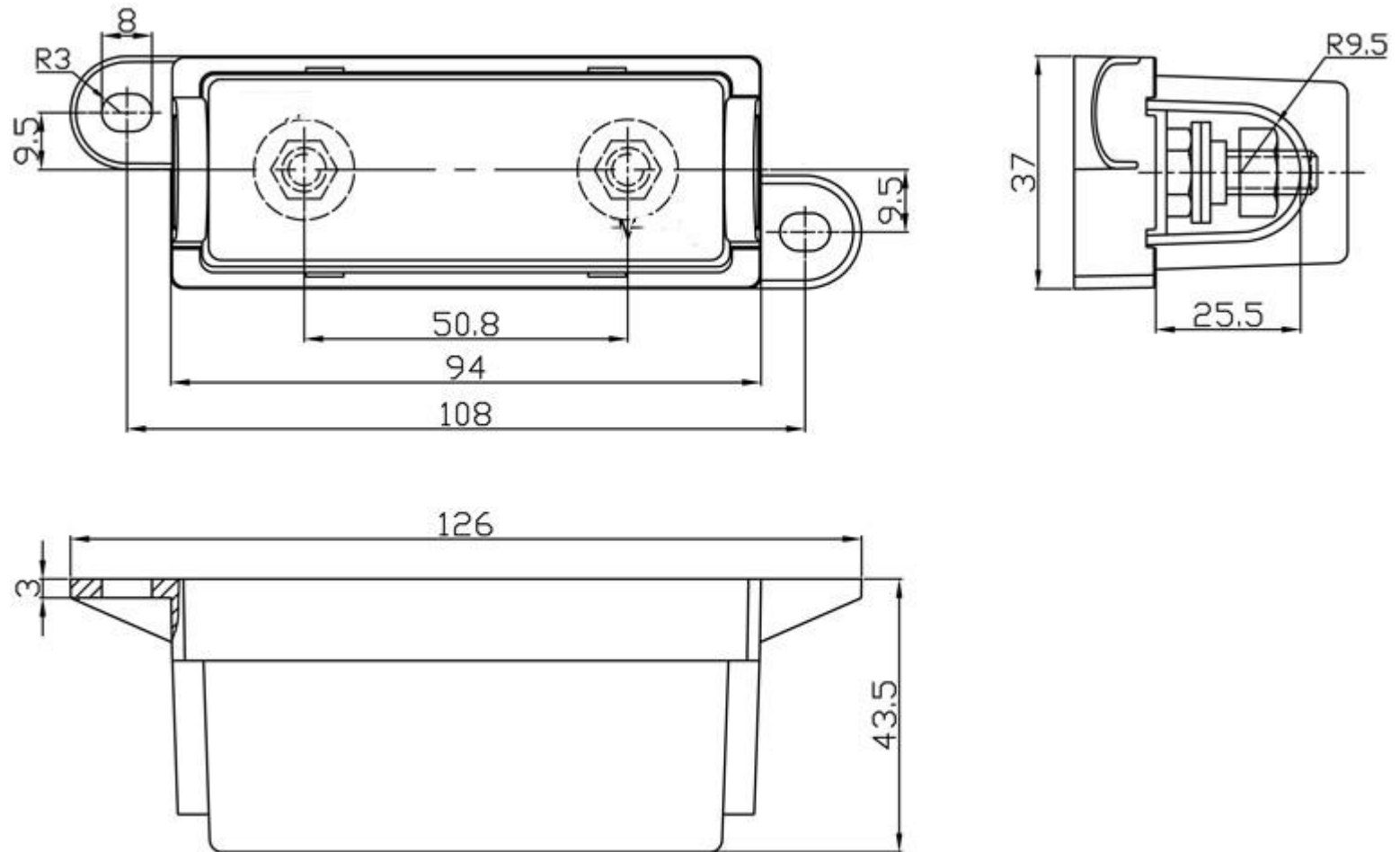


# Dongguan Gongfu Electronic Co. Ltd.

[TEL:0769-82391938](tel:0769-82391938) 81100206 FAX:0769-82391939 <http://www.gfefuse.com>



Automobile fuse box fuse box ISO:TS16949:2009 quality system certification enterprise. CE UL CQC ROHS REACH TUV quality certification products

# Dongguan Gongfu Electronic Co. Ltd.

**TEL:0769-82391938 81100206    FAX:0769-82391939    <http://www.gfefuse.com>**

---

1. product model ANS-300 car fuse box
2. matching gfefuse (ANL-B model car fuse) 30A-400A
3. base UL94V0 ROHS PA
4. shell PC
5. fixed 8.8 grade high strength stainless steel
6. ISO:TS16949:2009 system certification
7. Electrical properties
  1. Voltage: 12V-1500V/DC
  2. Current: 30A-400A DC
8. This product uses automobile wiring harness, new energy vehicle control box, DC power supply equipment, power supply, power supply, communication equipment, battery protection circuit, etc.
9. Instead of Littelfuse MEGA 498 ANM-B auto fuse fuse box of automobile seat and ANM-H Luis Jimenez

Automobile fuse box fuse box ISO:TS16949:2009 quality system certification enterprise. CE UL CQC ROHS REACH TUV quality certification products