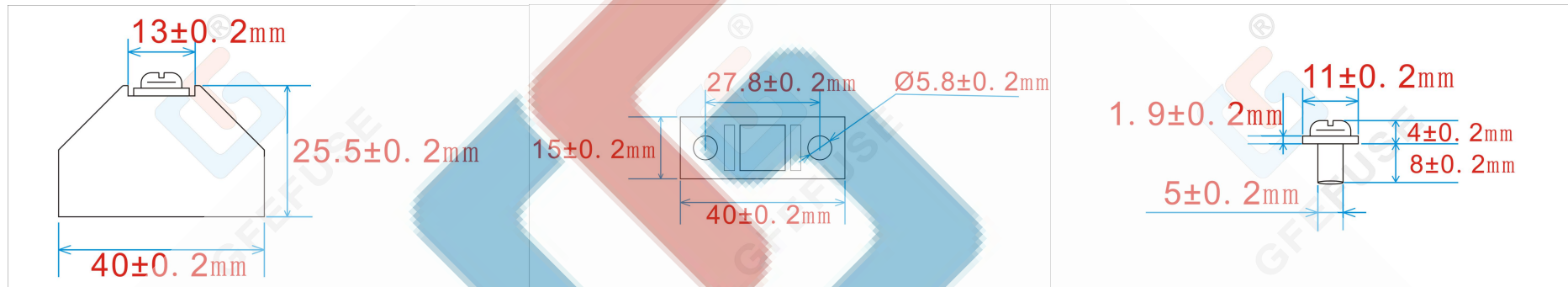


GFEVH-400F Fuse holder for New Energy Vehicle

1. Product Key Dimension Drawings



2. Product performance description;

- 1.Product Type: GFEFUSE®:GFEVH-400F
- 2..Base: PBT Flame Retardant Grade: UL-94V0
- 3.Rating range: AC: 600V 100A DC: 1500V 150A
- 4.Insulation resistance:>100 M Ω
- 5.contact resistance: <5m Ω
- 6.Voltage breakdown : >3000Vac
- 7.Practical: 10X38mm tubular fuse
- 8.Application: 10.3x38mm fuse

- **Promotion: The company's products are not notified of changes**

The company has obtained the quality system certification of IATF16949:2016 automobile industry.
The product has obtained UL CE CQC TUV REACH and many international certification.